

4310

1000 ml Pharma grade Packo



Product part	Product code	Materials
Packo container	4310	Pharma grade HDPE

Capacity	ML	US Fluid ounces
Brimful	1080	36.52
When closed	1030	34.83

Hazardous material information	
Hazardous material type	Solids
Packaging group	I – II – III
UN marking	1H2/X1.3/Y2.0/Z3.0/S/--/NL/ CURTEC-110503
Maximum gross mass (kg)	X=1.3 Y=2.0 Z=3.0

Weight	Grams	Ounces
Packo container	72.0	2.54

Weight tolerance
All products have a tolerance of $\pm 4\%$ of the initial weight mentioned on this data sheet

Dimensional tolerance (mm) according to DIN16742-TG7

Over	1	>3	>6	>10	>18	>30	>50	>80	>120	>180	>250	>315	>400	>500	>630	>800
up to	3	6	10	18	30	50	80	120	180	250	315	400	500	630	800	1000
NW (\pm)	0.20	0.29	0.35	0.42	0.50	0.60	0.90	1.25	1.45	1.60	1.80	2.60	3.50	4.00	4.50	5.00

Standard color(s)	Color code	PMS references
Packo container*	White 004	/

* Other colors available on request

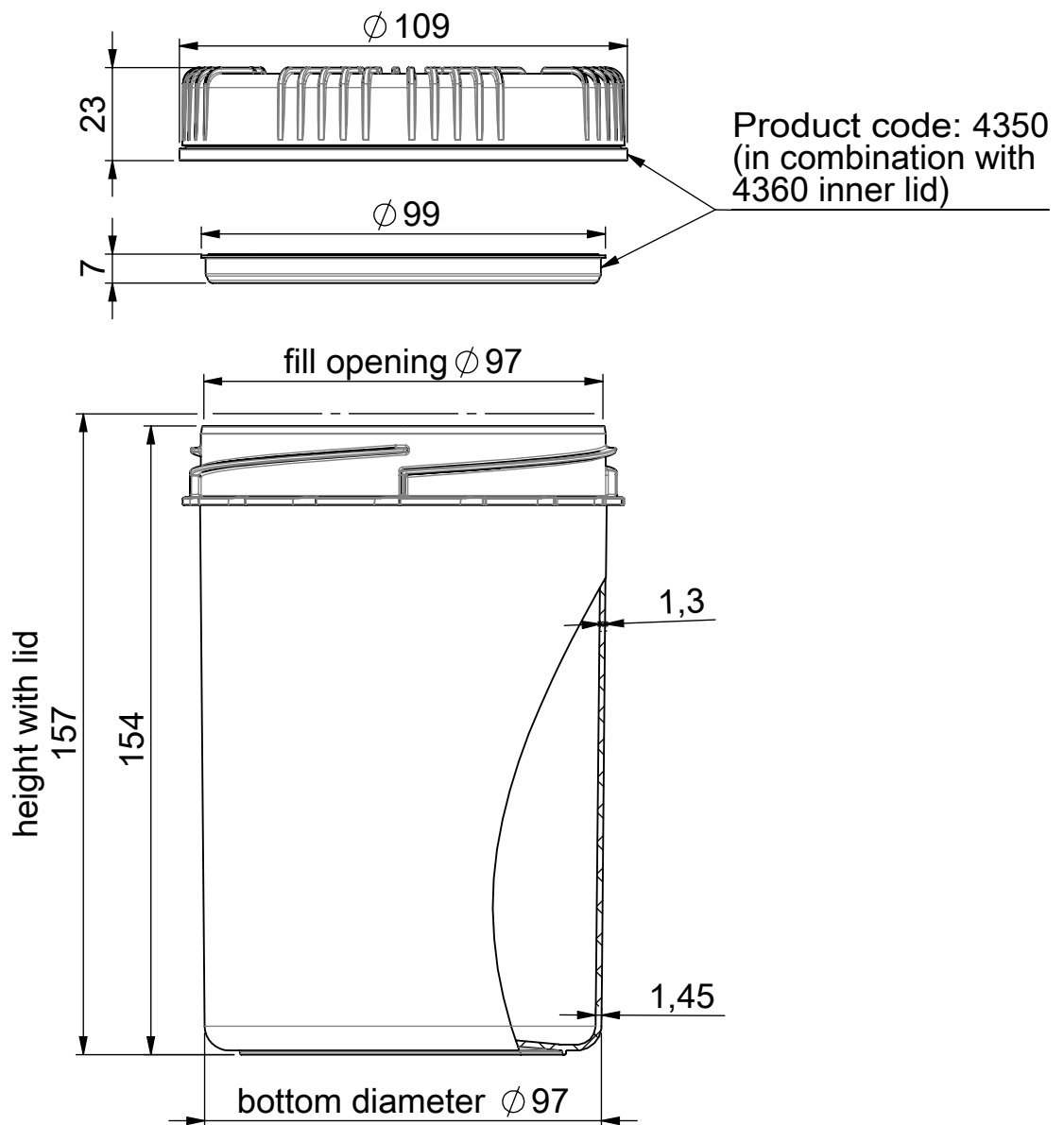
Product identification	
Manufacturer ID	Bottom
Product code	Bottom
Recycle logo / Material type	Bottom
Date clock	Bottom
UN-mark	Bottom
Food logo	Bottom
Material track clock	Bottom
CFR49-mark	--

Other information
The container can be opened and closed with just a quarter-turn
All compatible lids are equipped with integrated tear-off tamper evident seal
Maximum filling temperature is 70°C/ 158°F
Contents must have cooled to 30°C/ 86°F before containers can be closed and stacked
DoC food contact available on request
DoC Pharmacopoeia available on request
UN certificate available on request
MVTR declaration available on request
User manual available on request

DISCLAIMER

CurTec manufactures packaging material for a wide range of purposes. This declaration is restricted to the packaging material as it leaves the production facility. CurTec has neither control over final end use of the product nor over processing conditions. It is therefore the responsibility of the end user to check compliance with the relevant regulations and to validate material performance in the end application through proper end use testing.

© 2021 Property of CurTec International B.V. All rights explicitly reserved, it is not allowed to copy or communicate to other parties without written consent of CurTec.



Title 4310 Packo 1000 ml - Pharma

Revision

0

Rev. Date

17-02-2021

Units

mm



This document is property of CurTec Nederland B.V.
and may not be copied or communicated without written consent.
All Rights Reserved

