

4406

6 liter Click Pack[®]



Product part	Product code	Materials
Click Pack container	4406	HDPE

Capacity	Liters	US Gallons
Brimful	6.8	1.80
When closed	6	1.59

Hazardous material information	
Hazardous material type	Solids
Packaging group	I – II – III
UN marking	1H2/X6/Y9/Z14/S/--/NL/ CURTEC-130556
Maximum gross mass (kg)	X=6 Y=9 Z=14

Weight	Grams	Ounces
Click Pack container	302	10.65

Weight tolerance
All products have a tolerance of $\pm 4\%$ of the initial weight mentioned on this data sheet

Dimensional tolerance (mm) according to DIN16742-TG7

Over	1	>3	>6	>10	>18	>30	>50	>80	>120	>180	>250	>315	>400	>500	>630	>800
up to	3	6	10	18	30	50	80	120	180	250	315	400	500	630	800	1000
NW (\pm)	0.20	0.29	0.35	0.42	0.50	0.60	0.90	1.25	1.45	1.60	1.80	2.60	3.50	4.00	4.50	5.00

Standard color(s)	Color code	PMS references
Click Pack container*	White 004	/

* Other colors available on request

Product identification

Manufacturer ID	Bottom
Product code	Bottom
Recycle logo / Material type	Bottom
Date clock	Bottom
UN-mark	Handgrip
Food logo	Bottom
Material track clock	Bottom
CFR49-mark	--

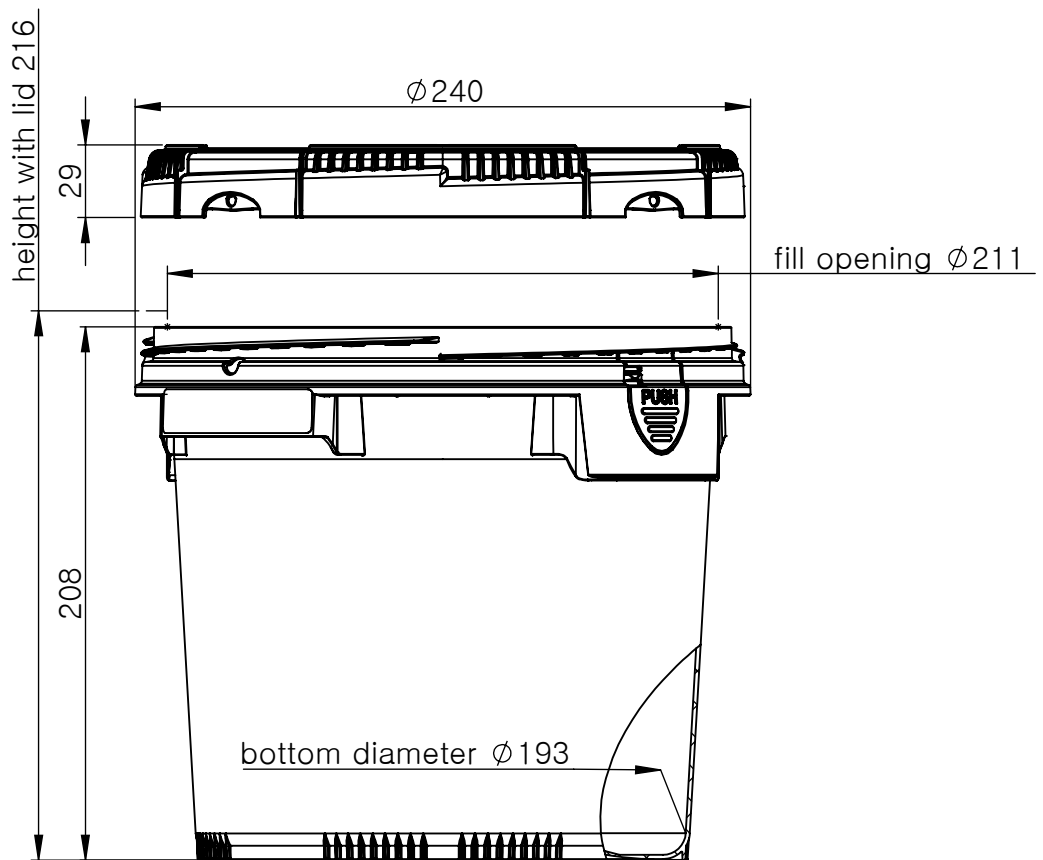
Other information

The container can be opened and closed with just a quarter-turn
The lid is locked when it passes the safety button, confirmed by a 'click'
Maximum filling temperature is 70°C/ 158°F
Contents must have cooled to 30°C/ 86°F before containers can be closed and stacked
DoC available on request
UN certificate available on request
MVTR declaration available on request
User manual available on request
Handle optional
Sealing pin optional

DISCLAIMER

CurTec manufactures packaging material for a wide range of purposes. This declaration is restricted to the packaging material as it leaves the production facility. CurTec has neither control over final end use of the product nor over processing conditions. It is therefore the responsibility of the end user to check compliance with the relevant regulations and to validate material performance in the end application through proper end use testing.

© 2021 Property of CurTec International B.V. All rights explicitly reserved, it is not allowed to copy or communicate to other parties without written consent of CurTec.



Title 4406 Click Pack Y

Revision	Rev. Date	Units
0	27-05-2019	mm



This document is property of CurTec Nederland B.V.
and may not be copied or communicated without written consent.
All Rights Reserved

